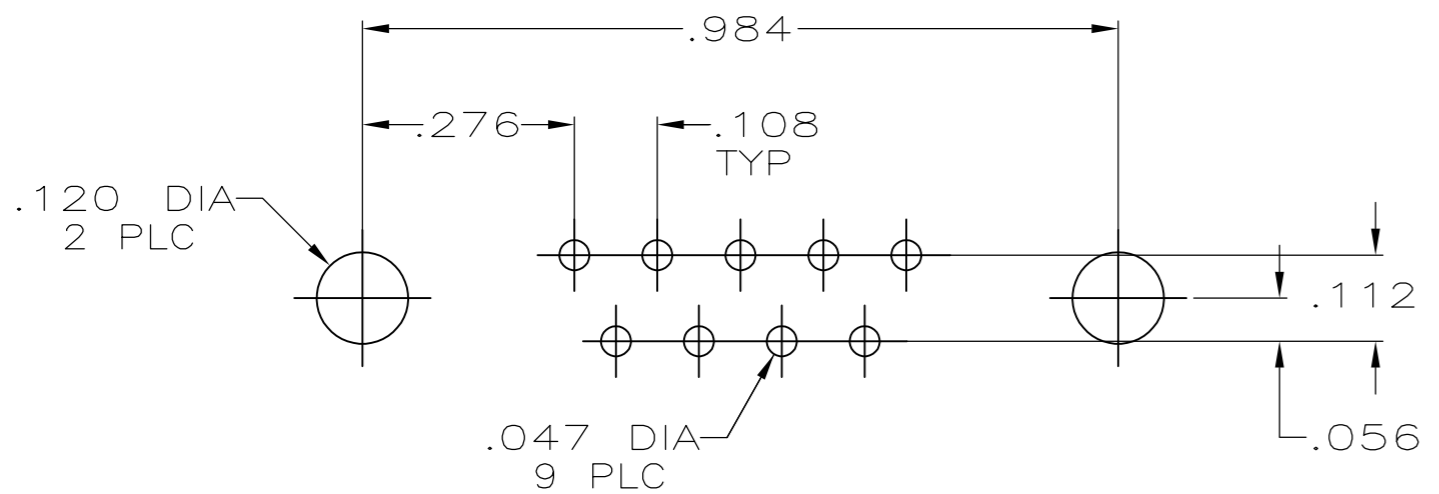
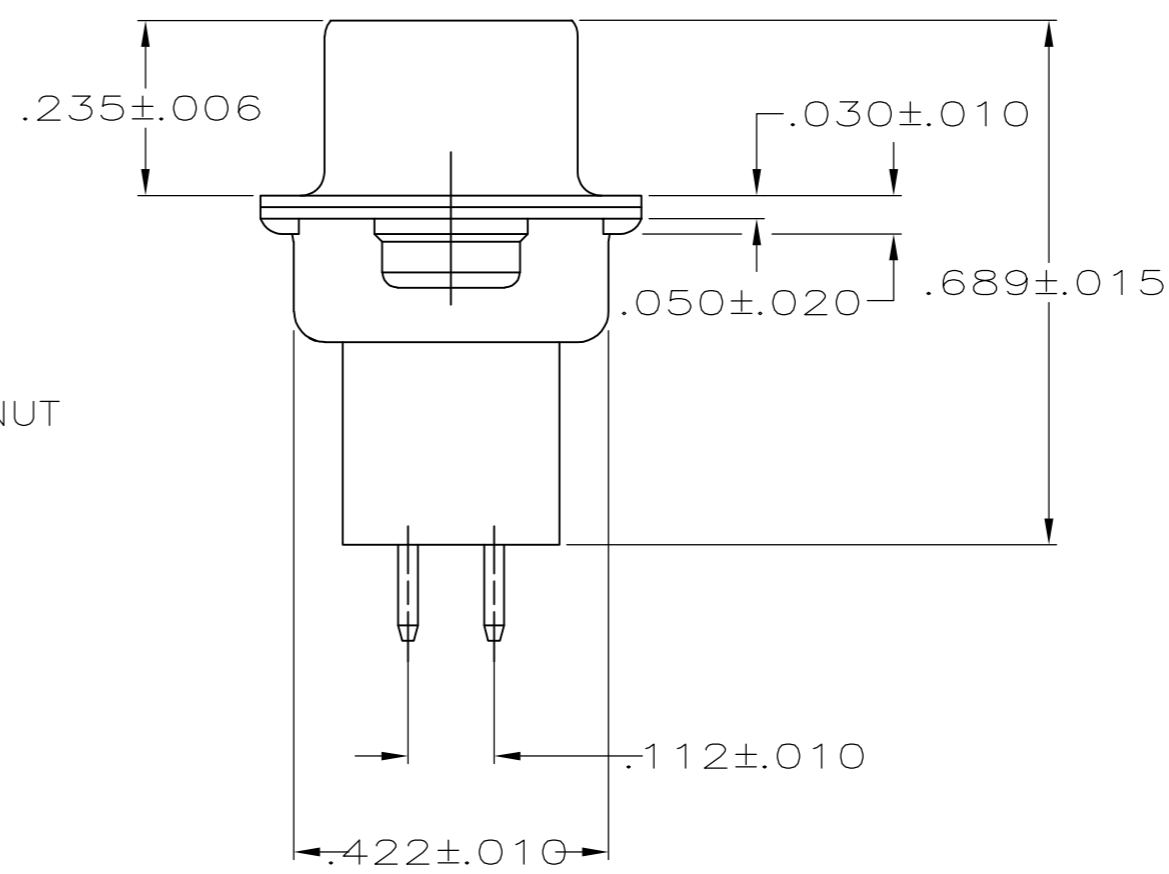
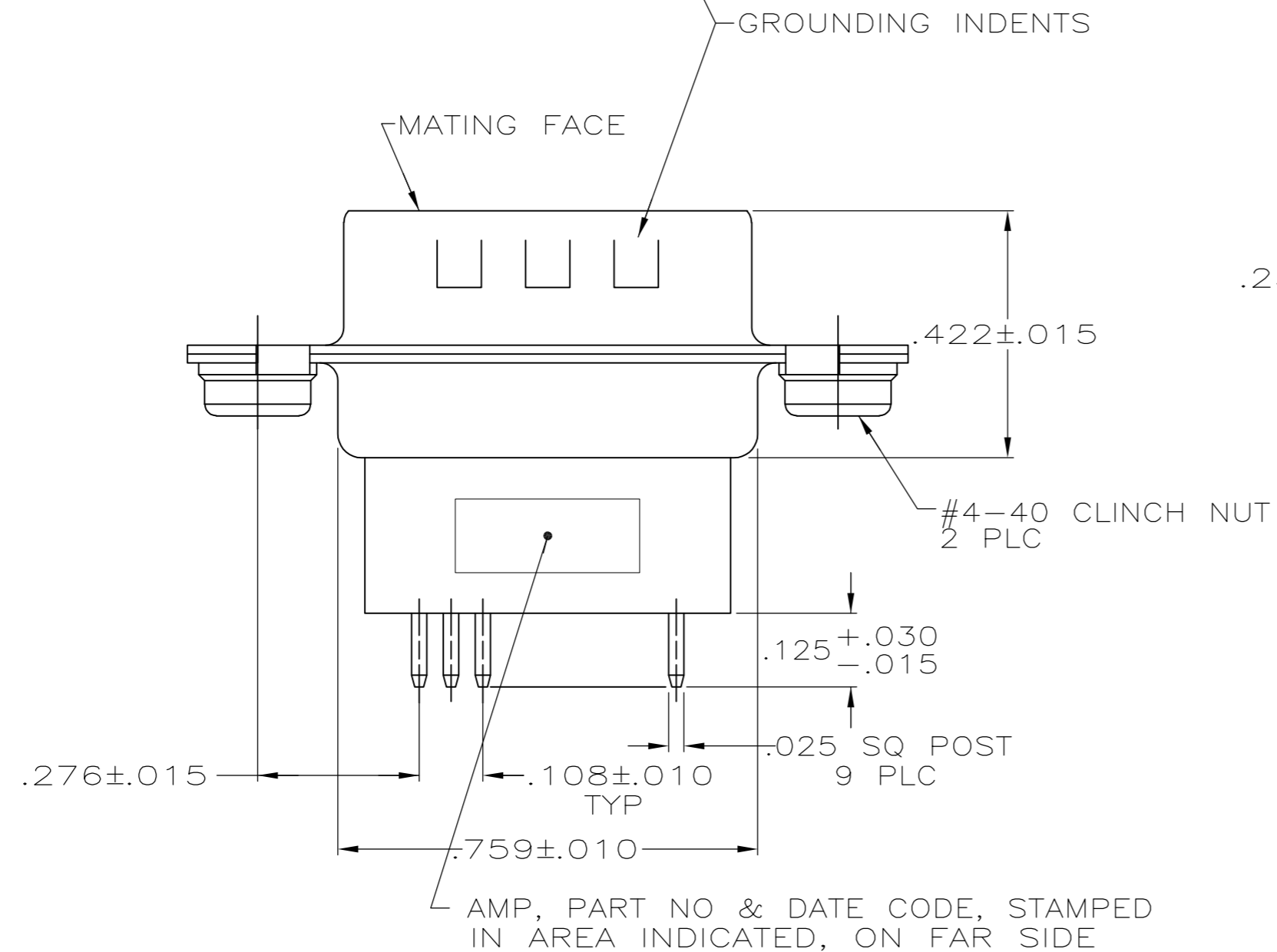
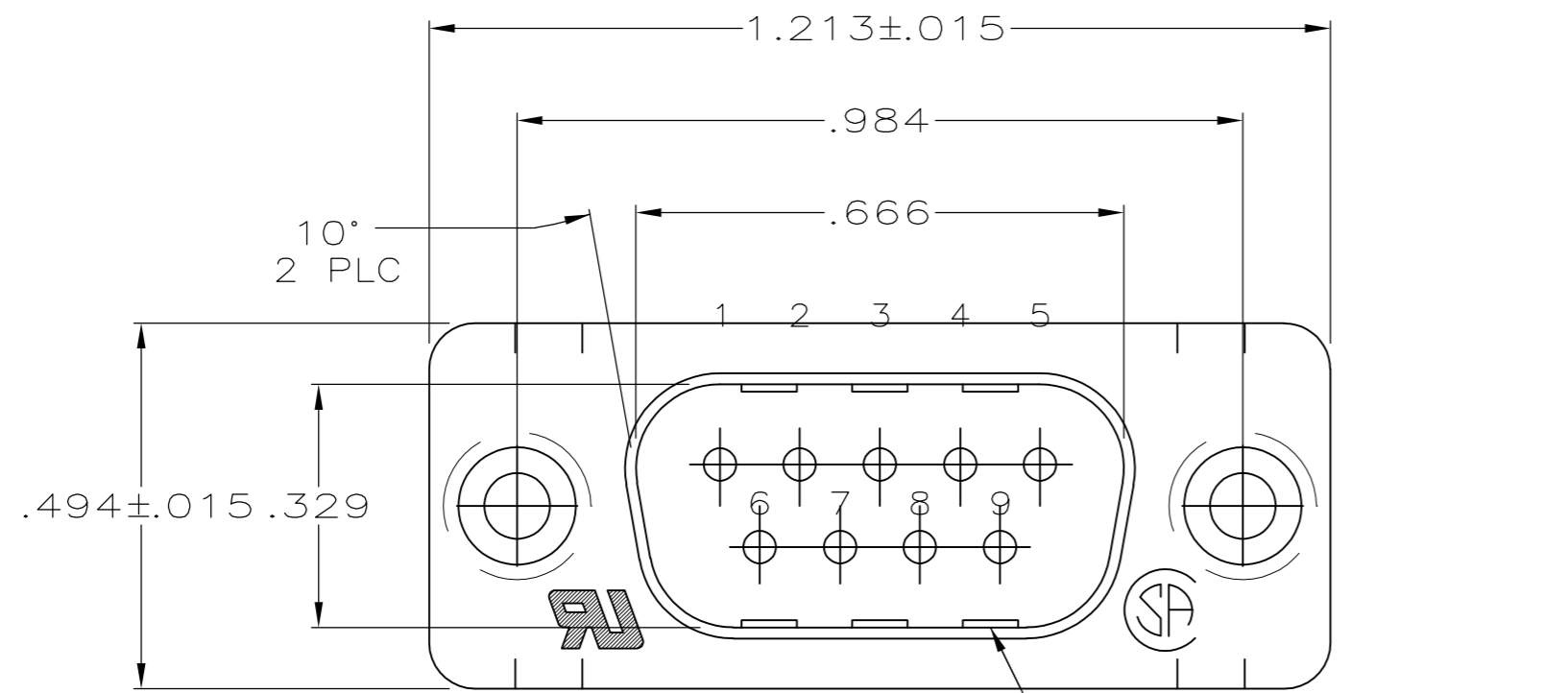


THIS DRAWING IS UNPUBLISHED. RELEASED FOR PUBLICATION  
 © COPYRIGHT BY TYCO ELECTRONICS CORPORATION. ALL RIGHTS RESERVED.

LOC		DIST		REVISIONS			
P	LTR	DESCRIPTION		DATE	DWN	APVD	
GP	00	E		REVISED PER ECO-10-000073	15FEB2010	CR	SB



PC BOARD MOUNTING DIMENSIONS

1. NOTE DELETED.
- ⚠ MOLDDED PARTS: FLAME RETARDANT 94V-O RATED GLASS FILLED NYLON OR POLYESTER, BLACK;  
CONTACTS: BRASS;  
SHELLS: STEEL;  
CLINCH NUTS: STEEL;
  - ⚠ SHELLS: .000200 MIN TIN OVER .000100 MIN COPPER.  
CLINCH NUTS: .000300 MIN ZINC WITH CLEAR CHROMATE COATING.
  - ⚠ GOLD PLATED FOR A LENGTH OF .150 FROM MATING END, .000030 MIN GOLD IN MATED AREA, .000100-.000200 TIN OR TIN-LEAD ON SOLDER END, ALL OVER .000050 MIN NICKEL ON ENTIRE CONTACT.  
-OR-  
GOLD FLASH OVER PALLADIUM-NICKEL PLATED FOR LENGTH OF .150 FROM MATING END, .000030 MIN TOTAL IN MATED AREA, .000100-.000200 TIN OR TIN-LEAD ON SOLDER END, ALL OVER .000050 MIN NICKEL ON ENTIRE CONTACT.

4	749014-1
CONTACT FINISH	PART NUMBER

THIS DRAWING IS A CONTROLLED DOCUMENT.		DWN L.SIPE 8-30-88	Tyco Electronics Corporation Harrisburg, PA 17105-3608
DIMENSIONS: INCHES		CHK W.LENKER 8-31-88	
TOLERANCES UNLESS OTHERWISE SPECIFIED:		APVD C. ROHDE 9-2-88	NAME
0 PLC ± -	1 PLC ± -	PRODUCT SPEC	PLUG ASSEMBLY, SIZE 1, 9 POSN, VERTICAL, W/ GROUNDING INDENTS & CLINCH NUTS, AMPLIMITE® HDP-20
2 PLC ± -	3 PLC ± .005	APPLICATION SPEC	SIZE CAGE CODE DRAWING NO RESTRICTED TO
4 PLC ± -	ANGLES ± 2°	114-40013	A2 00779 C=749014
MATERIAL	FINISH	WEIGHT -	SCALE SHEET REV
CONTACTS: SEE TABLE	3	CUSTOMER DRAWING	4:1 1 of 1 E